

# Prestige

LIFT & SLIDE PATIO DOOR

## INSTALLATION GUIDE



NEW PRODUCT OF THE YEAR

**PART L** Compliant ✓



# Contents

## **p3 SURVEY**

Survey & Pre-Installation	3
---------------------------	---

## **p4 KIT FORM INSTRUCTIONS**

Frame assembly - 2 pane standard threshold	4
Frame assembly - 2 pane head	5
Frame assembly - low threshold	6
Frame assembly - 3 pane threshold	7
Frame assembly - 3 pane head	8

## **p9 GENERAL INSTRUCTIONS**

Frame extenders	9
Fit frame & installing fixed sash	10
Glazing - fixed sash	12
Glazing - sliding sash	13

## **p14 TRIM PACKS FOR EACH STYLE**

Trimming the patio - 2 pane - 1 slider / 1 fixed	14
Trimming the patio - 2 pane - 2 sliders	15
Trimming the patio - 4 pane - 2 slider / 2 fixed	16
Trimming the patio - 3 pane - 2 slider / 1 fixed	17
Trimming the patio - 3 pane - 3 slider	18
Trimming fixed and sliding sashes	19

## **p21 PRE-ASSEMBLED PATIO INSTRUCTIONS**

Pre-assembled patio - before fitting - removing sliding sash - 4 pane doors	21
Removing fixed sash	22

## **p24 ADJUSTMENTS**

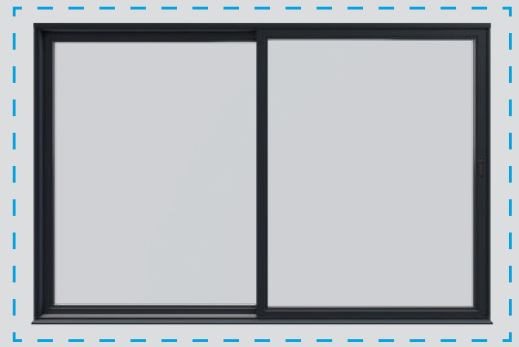
Lock - keep adjustment	24
Bead removal	25

## **p26 COMPLETING THE INSTALLATION**

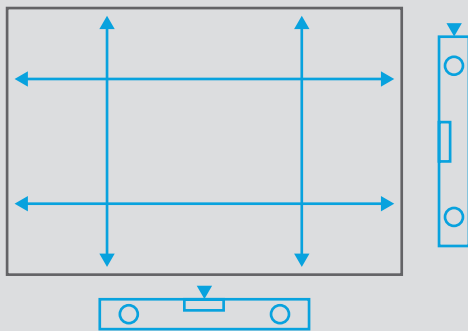
External finishing & final checks	26
-----------------------------------	----

# Survey & Pre-Installation

Check the aperture to make sure there is no loose plaster or brickwork, and that it is free of any debris or brick dust. Ensure that a solid, level base is present at the required dimensions and can provide packing points at 250mm centres and fixing points at 600mm centres. Ensure floor levels do not obstruct door operation or impede drainage.

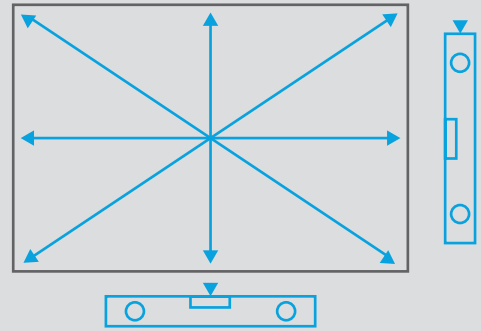


1.



Ensure that all four sides of the aperture are plumb and square and identify any potential packing points. Please note our recommended fixing positions are into the outer wall and the frames are not fixed over an open cavity as this can compromise system performance.

2.



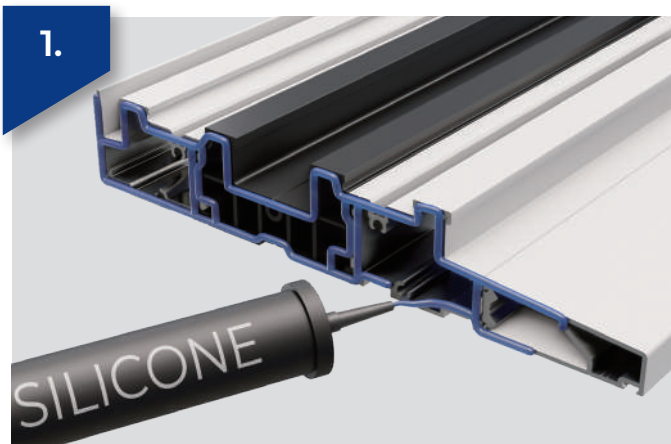
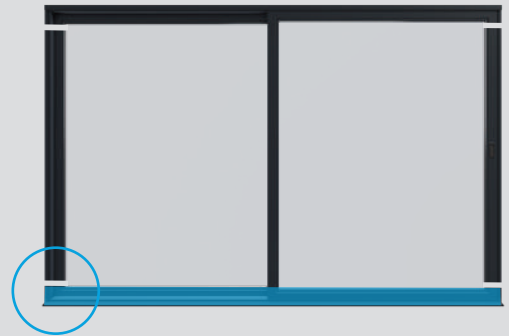
Ensure an adequate lintel or head linings are present, and are level and capable of supporting both the construction above and the frame itself. Note: The frame should be packed under the jambs to provide sufficient support. Check for alignment at points shown.

Frame size = brick-to-brick size – 5mm each side, to allow for level and square installation.

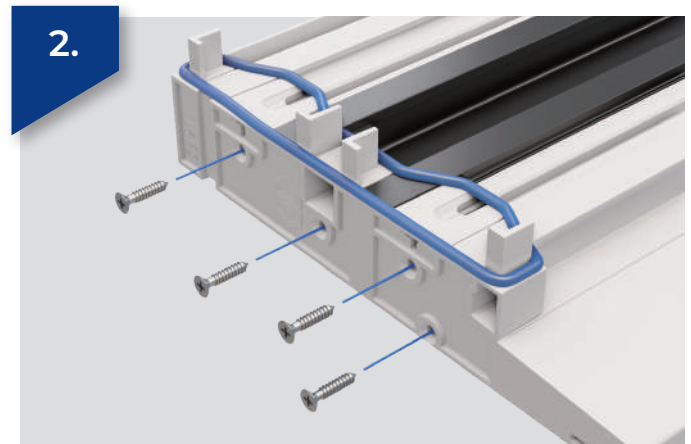
*Disclaimer: Please check with the latest Building Regulations and standards that are relevant to your area for guidance and to ensure you comply with the latest regulations. The advice given in this document assumes fitting will be carried out by a qualified professional following BS 8213 - 4:2016 the Code of Practice for the Survey and Installation of Windows and External doorsets, where applicable.*

# Frame Assembly & Corner Joint Adjustment

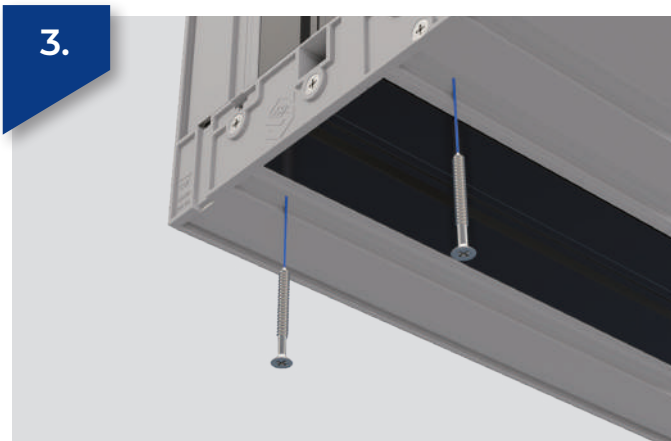
## 2 PANE STANDARD THRESHOLD



1. Run a continuous bead of silicone sealant around the joint between the cut frame and the end cap moulding, not blocking the drainage holes in the moulding.

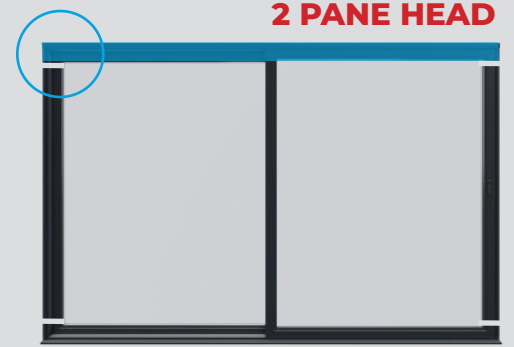


2. Secure the end cap moulding to the threshold using 4.3 x 13mm screws through the pre-drilled holes. Run a continuous bead of silicone around joint before fixing to jamb.

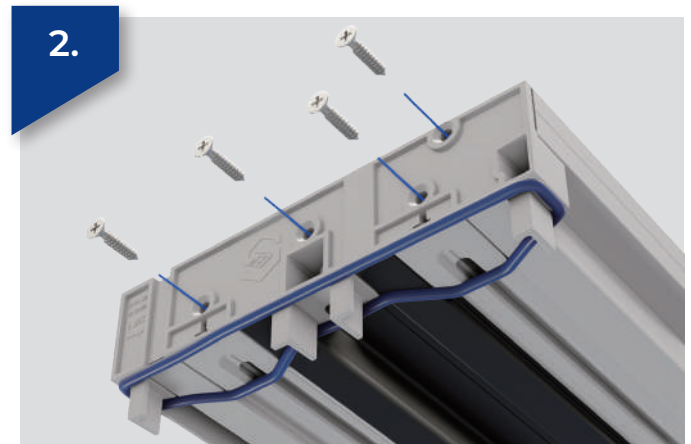


3. Fit through threshold into jamb using 4.8 x 55mm screws through the pre-drilled holes

# Frame Assembly & Corner Joint Adjustment



1. Run a continuous bead of silicone sealant around the joint between the cut frame and the end cap moulding.



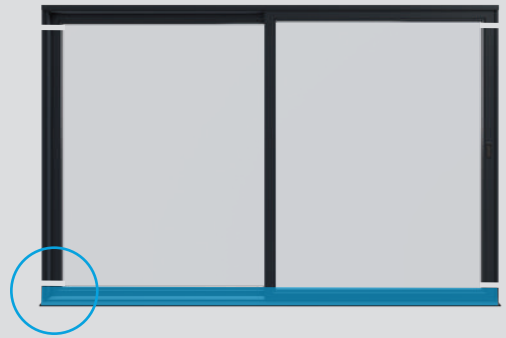
2. Secure the end cap moulding to the head using 4.3 x 13mm screws through the pre-drilled holes. Run a continuous bead of silicone around joint before fixing to jamb.



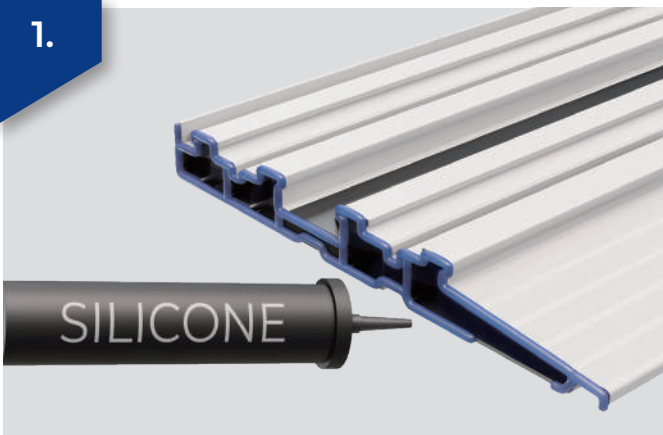
3. Fit through head into jamb using 4.8 x 55mm screws through the pre-drilled holes

# Frame Assembly & Corner Joint Adjustment

**LOW THRESHOLD**

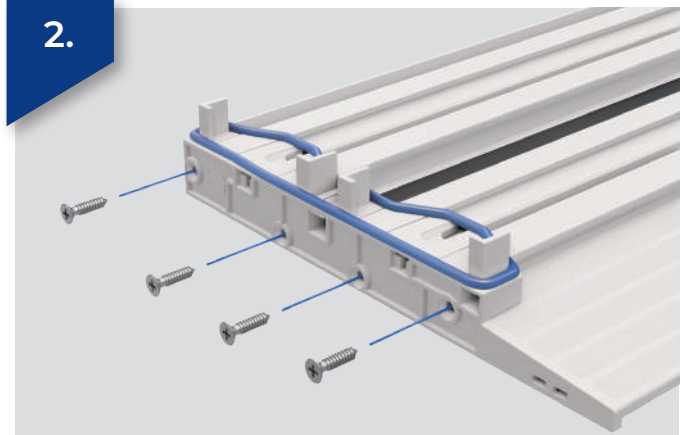


1.



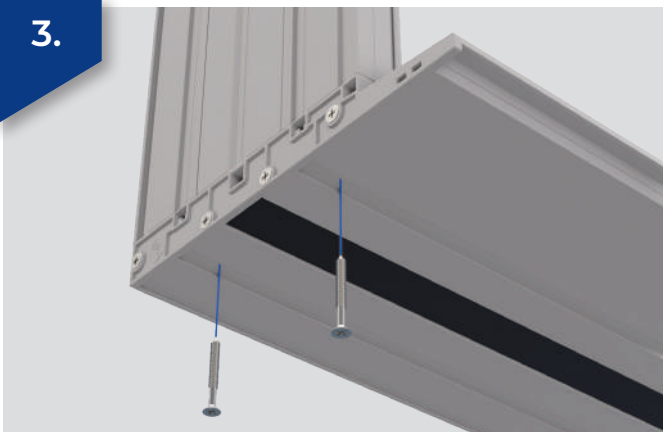
Run a continuous bead of silicone sealant around the joint between the cut frame and the end cap moulding, not blocking the drainage holes in the moulding.

2.



Secure the end cap moulding to the threshold using 4.3 x 13mm screws through the pre-drilled holes. Run a continuous bead of silicone around joint before fixing to jamb.

3.



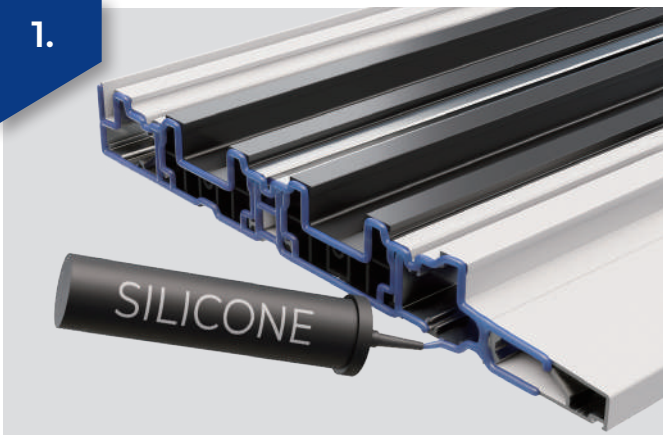
Fit through threshold into jamb using 4.8 x 55mm screws through the pre-drilled holes.

# Frame Assembly & Corner Joint Adjustment

## 3 PANE THRESHOLD

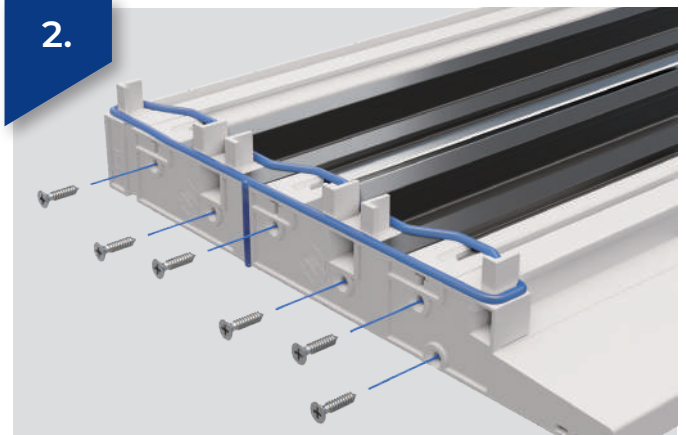


1.



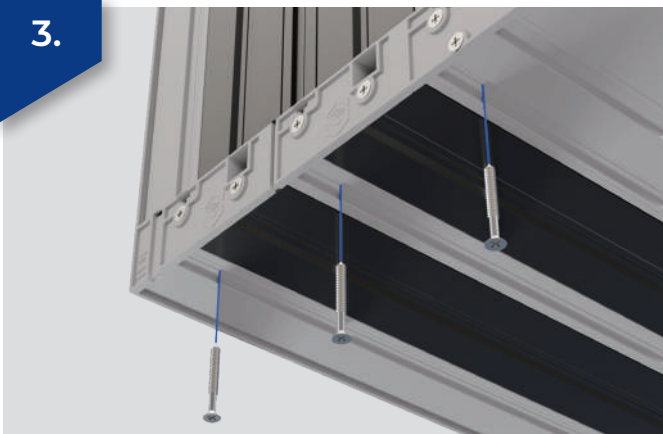
Run a continuous bead of silicone sealant around the joint between the cut frame and the end cap moulding, not blocking the drainage holes in the moulding.

2.



Secure the end cap moulding to the threshold using 4.3 x 13mm screws through the pre-drilled holes. Run a continuous bead of silicone around joint before fixing to jamb. Seal between the two parts of the moulding.

3.

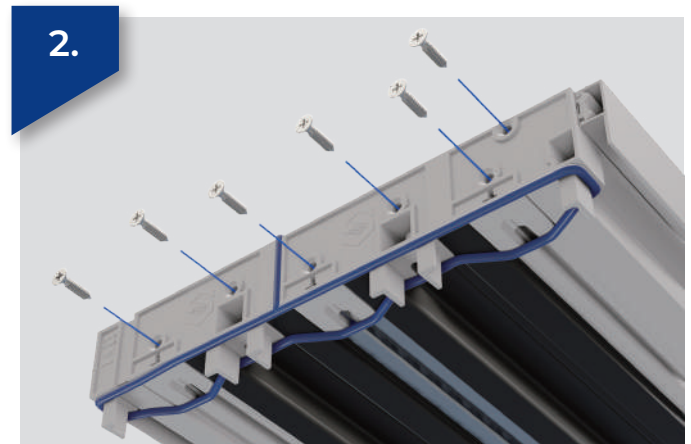


Fit through threshold into jamb using 4.8 x 55mm screws through the pre-drilled holes.

# Frame Assembly & Corner Joint Adjustment



Run a continuous bead of silicone sealant around the joint between the cut frame and the end cap moulding.



Secure the end cap moulding to the head using 4.3 x 13mm screws through the pre-drilled holes. Run a continuous bead of silicone around joint before fixing to jamb. Seal between the two parts of the moulding.



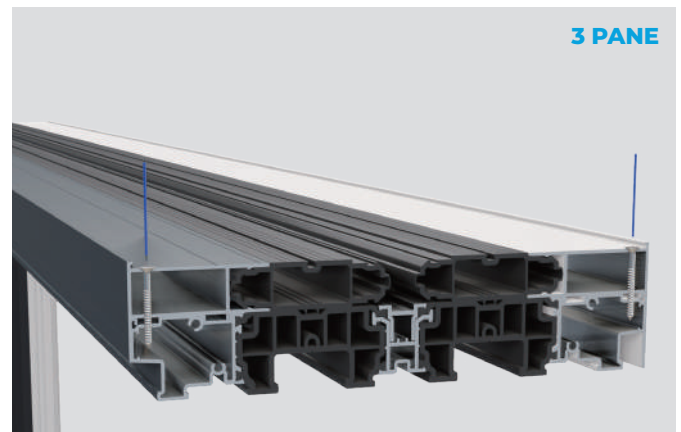
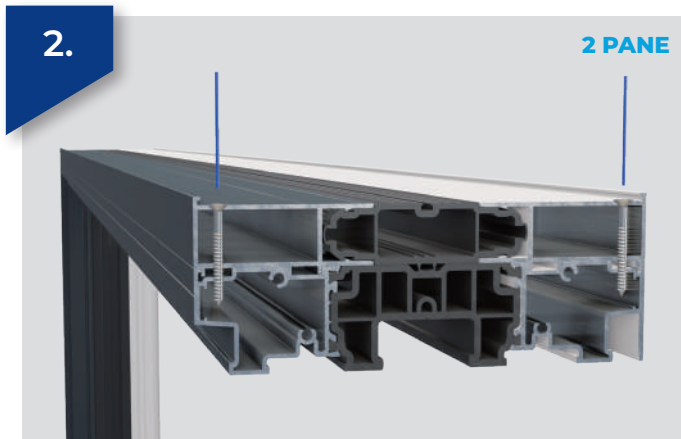
Fit through head into jamb using 4.8 x 55mm screws through the pre-drilled holes.



# Frame Extenders (If applicable)



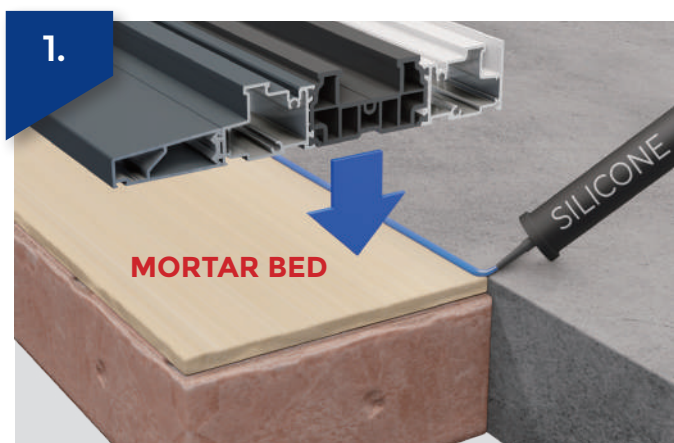
Fix frame extender 150mm from ends and max 500mm between centres using 3.9 x 38mm countersunk screws.



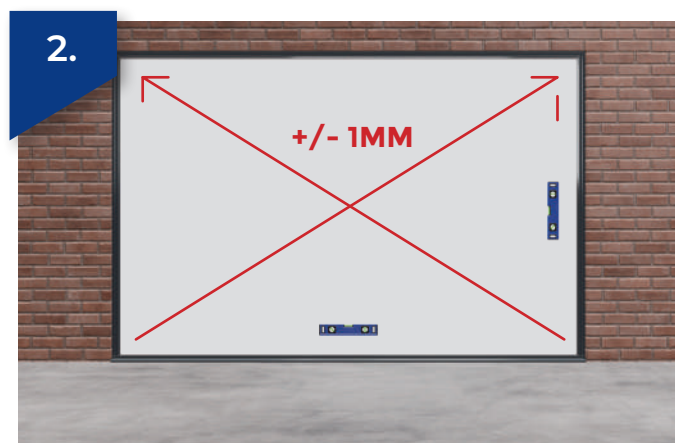
Fix as above to ensure the screws will not break through into the patio track.

# Fit Frame & Install Fixed Sash (Kit Form)

If your patio is supplied with a ramped threshold or standard main frame still follow these instructions to ensure a level and weathertight installation.



1. Add a damp-proof layer to prevent water ingress, running this 150mm up either side of the aperture. This needs integrating correctly with the structure's original damp proof course. Ensure the frame is level and sufficiently packed to support the patio along its full width. If the surface is uneven then a mortar bed may be necessary. If a mortar bed is not required then seal along edge using silicone sealant as shown.



2. Position frame with sashes removed into the opening ensuring it's square and plumb, and pack accordingly using frame packers. Also check diagonals are within +/- 1mm.



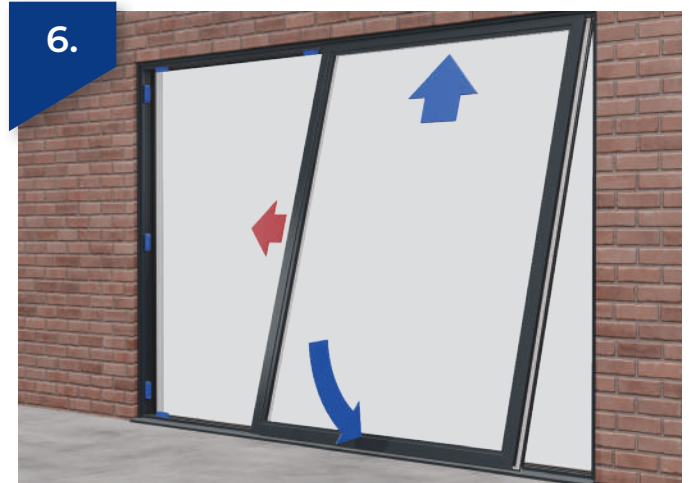
3. Once you have positioned the frame and made sure it's level, drill & fit through the centre of the thermal break as shown above, using suitable fixings, at the positions shown in point 4. Applying a small amount of silicone to fixings to prevent water ingress.



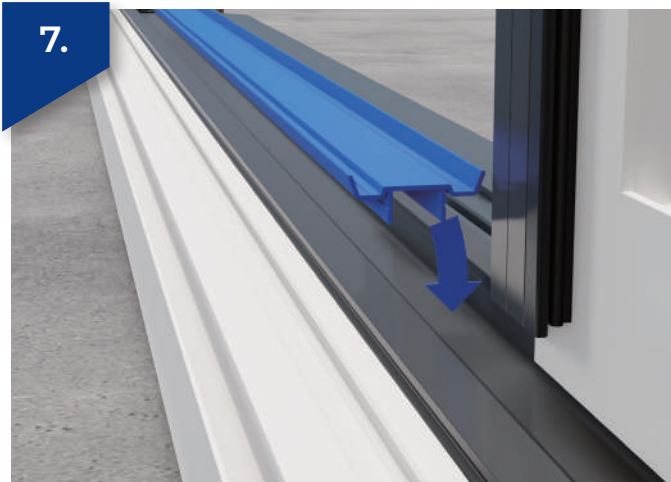
4. Drill and fix the frame at 150mm max from each end, and no more than 600mm between centres. Fit packers at the same locations. Seal the bottom fixing locations to prevent water ingress.



5. Fix through the thermal break as shown (jamb and head).



6. Insert the fixed light from the outside (if internal sliding door, or inside if external sliding door), starting at the opposite end to its finished position. Insert head first as per blue arrow, then slide across into position over sash locator as per red arrow. Ensure beads are on the inside.



7. Fit drainage cover to fixed sash side, into drainage channel. See trim packs for quantity. (Pages 14-18).



8. Fix 100mm from corners at no greater than 1000mm centres using 4.8 x 65mm long screws.



9. Fix the fixed sash corner dams (silicone behind before fitting) using a 3.9 x 35mm screw. Repeat top & bottom.



10. If using the slim 52mm mullion the tab indicator should be removed as shown.

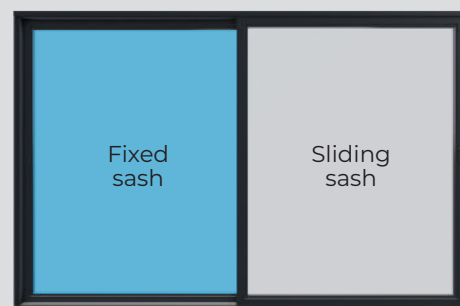
## FIXED SASH

# Glazing

Remove beads carefully and place them to one side to ensure they can be returned to their original positions in the correct order.

Ensure all gaskets are inserted into each bead before glazing.

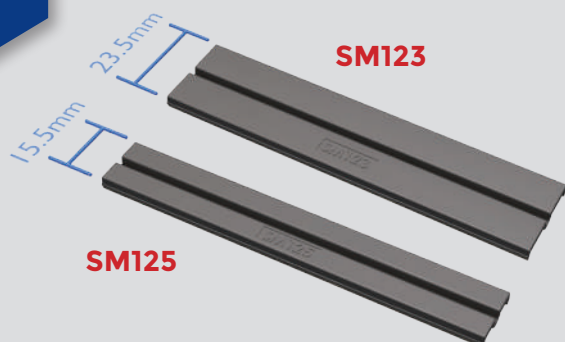
Install the glazed unit and pack as shown using 3-4mm glazing packers (sizes may vary due to glass and door manufacturing tolerances).



### Glazing platforms:

SM123 used for contemporary sash. SM125 used for stepped sash. Both available from Sheerline .

1.



Start by glazing the fixed sash. See packer positions.

2.

Load bearing packer

Pack square\*



Start by glazing the fixed sash. See packer positions above. If additional roller set is fitted, add additional packer at **X** to pack square.

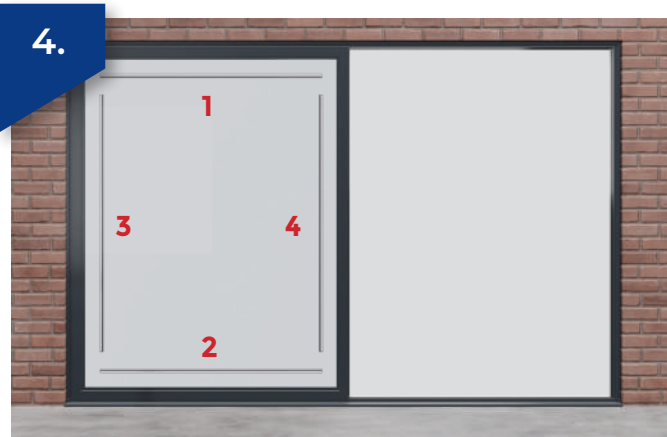
\*Additional packers may be required on taller doors where there is an additional locking point.

3.



We advise spraying the unit with a mild soap/water mixture or glass cleaner to make beading easier. Ensure you have packed the unit correctly as shown above. Fit the top bead in place to secure the glazed unit (rotating the beads until they clip into place as shown above). Next, fit the bottom bead.

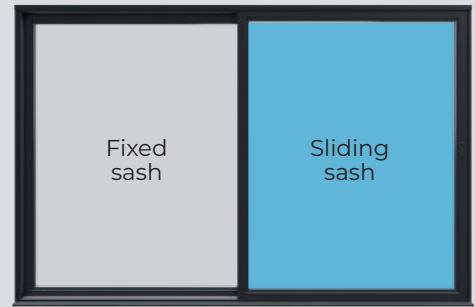
4.



Next, fit the vertical beads, being careful not to scratch the painted profile while fitting. Finally run your finger along the gasket edge to check they have seated correctly, adjusting if required.

# Glazing - Sliding Sash

## SLIDING SASH



Insert the sliding sash head first as per the blue arrows, from the inside if externally sliding (outside if externally sliding). Ensure beads are on the inside.



If additional roller set is fitted, add additional packer at **X** to pack square.

\*Additional packers may be required on taller doors where there is an additional locking point.



We advise spraying the unit with a mild soap/water mixture or glass cleaner to make beading easier. Ensure you have packed the unit correctly as shown above. Fit the top bead in place to secure the glazed unit (rotating the beads until they clip into place as shown above). Next, fit the bottom bead.

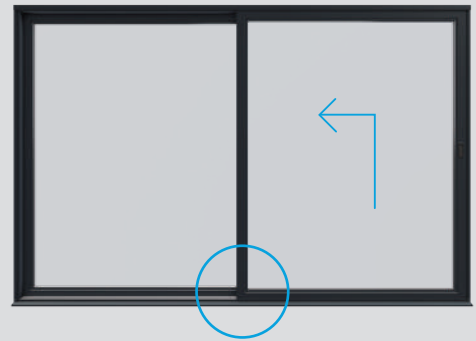


Next, fit the vertical beads, being careful not to scratch the painted profile while fitting. Finally run your finger along the gasket edge to check they have seated correctly, adjusting if required.

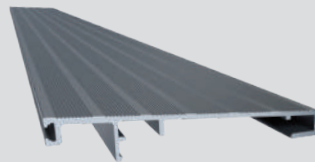
# Trimming the patio

- parts required

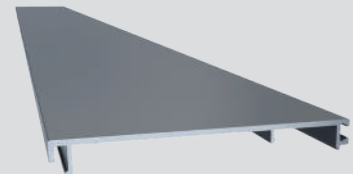
**2 PANE - 1 SLIDER / 1 FIXED**



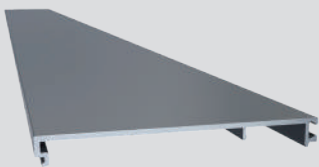
**SLS010** JAMB TRIM  
x2 heights | x1 width



**SLS070** THRESHOLD TRIM  
x1 width



**SLS056** STANDARD INTERLOCK  
x2 if using 80mm interlock



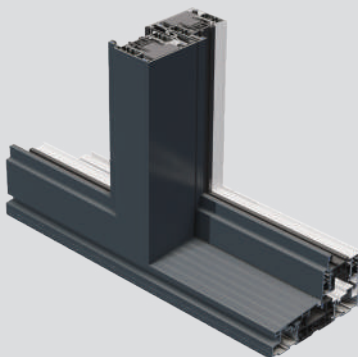
**SLS055** SLIM INTERLOCK  
x2 if using 52mm interlock



**SLS510** DRAINAGE COVER  
x1 width

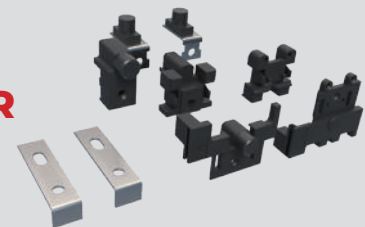


**SLS506** CORNER SHROUDS  
1 pair



**SLS610** LH HARDWARE KIT A  
1 pair

**OR**

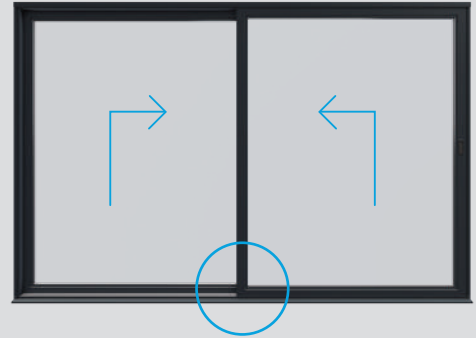


**SLS611** RH HARDWARE KIT A  
1 pair

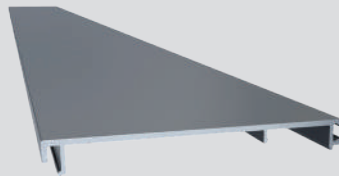
**2 PANE - 2 SLIDERS**

# Trimming the patio

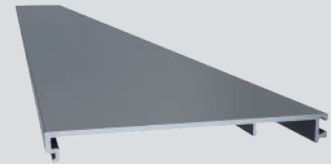
- parts required



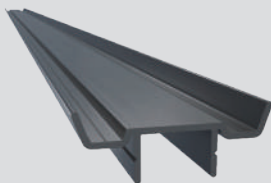
**SLS010** JAMB TRIM  
x2 heights



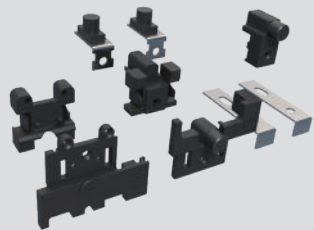
**SLS056** STANDARD INTERLOCK  
x2 if using 80mm interlock



**SLS055** SLIM INTERLOCK  
x2 if using 52mm interlock

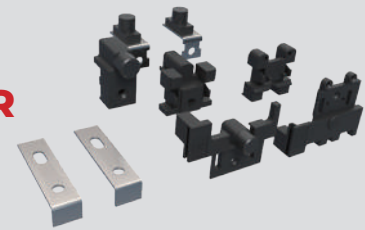


**SLS510** DRAINAGE COVER  
x1 width

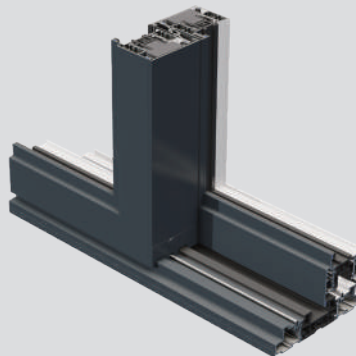


**SLS610** LH HARDWARE KIT A  
2 pairs

**OR**



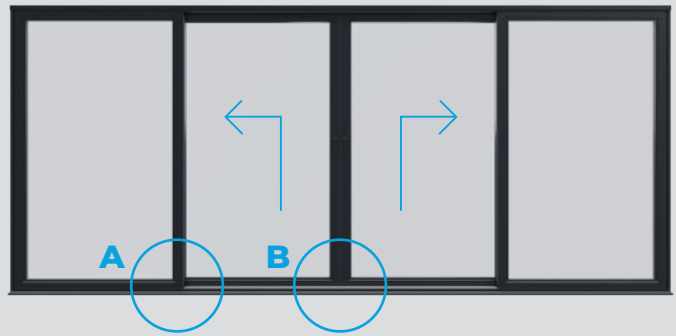
**SLS611** RH HARDWARE KIT A  
2 pairs



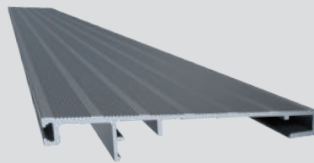
# Trimming the patio

- parts required

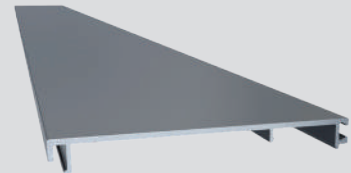
**4 PANE - 2 SLIDER / 2 FIXED**



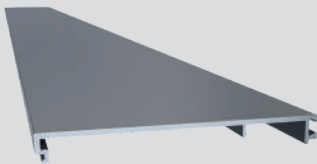
**SLS010** JAMB TRIM  
x2 heights | x1 width



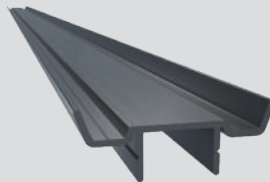
**SLS070** THRESHOLD TRIM  
x1 width



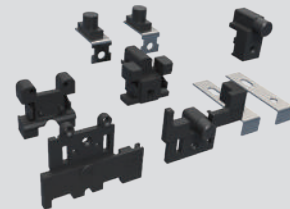
**SLS056** STANDARD INTERLOCK  
x4 if using 80mm interlock



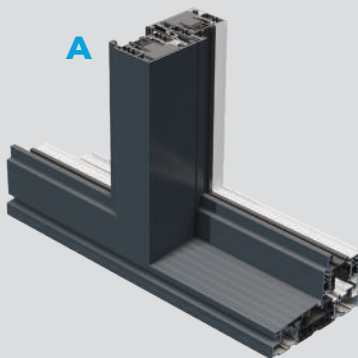
**SLS055** SLIM INTERLOCK  
x4 if using 52mm interlock



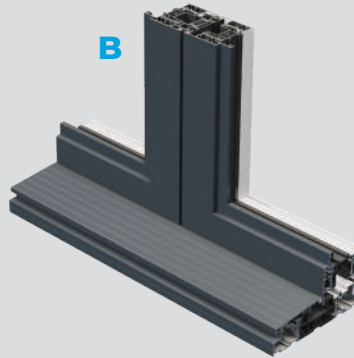
**SLS510** DRAINAGE COVER  
x2 widths



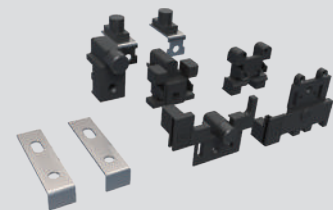
**SLS610** LH HARDWARE KIT A  
1 pair



**A**



**B**



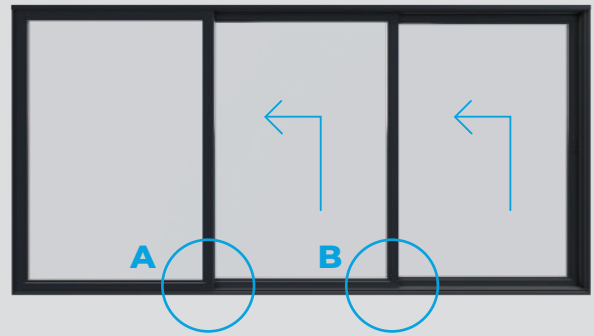
**SLS611** RH HARDWARE KIT A  
1 pair



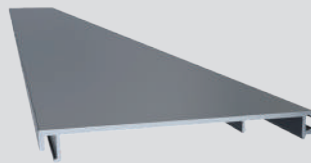
# Trimming the patio

- parts required

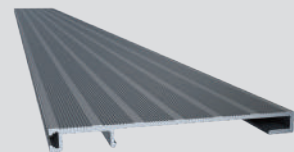
**3 PANE - 2 SLIDER / 1 FIXED**



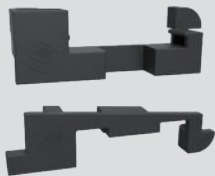
**SLS010** JAMB TRIM  
x4 heights  
x2 widths (head only)



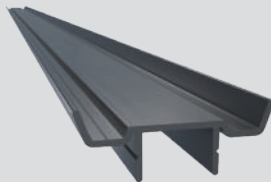
**SLS056** STANDARD INTERLOCK  
x4 heights



**SLS071** THRESHOLD TRIM  
x2 width (bottom only)



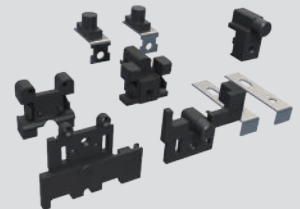
**SLS507 & SLS508**  
CENTRE SASH DAM LH & RH  
1 pair LH or RH



**SLS510** DRAINAGE COVER  
x2 widths

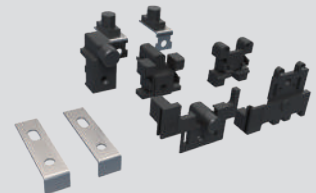
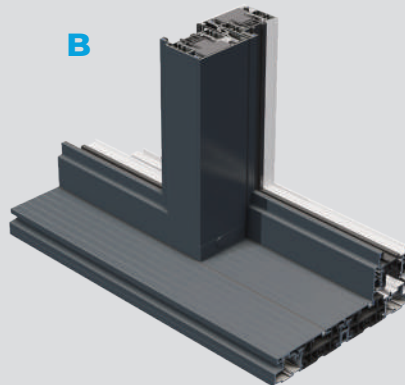
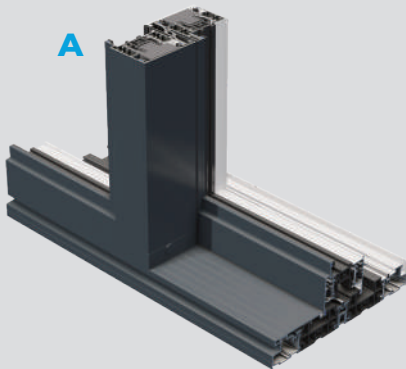


**SLS506** CORNER SHROUDS  
1 pair



**SLS610** LH HARDWARE KIT A  
3 pair

**OR**

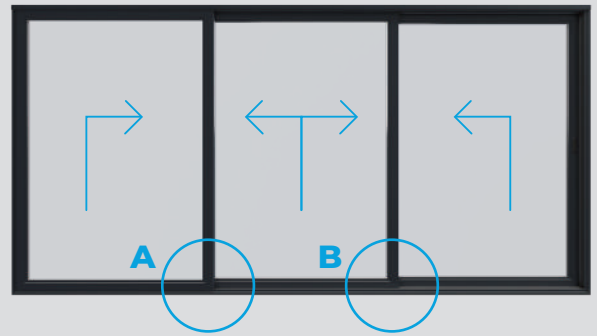


**SLS611** RH HARDWARE KIT A  
3 pair

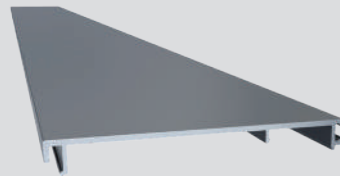
**3 PANE - 3 SLIDER**

# Trimming the patio

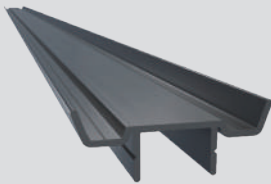
- parts required



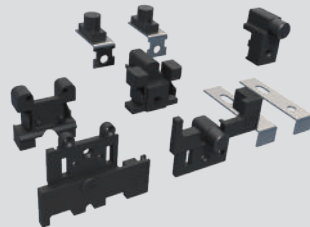
**SLS010** JAMB TRIM  
x4 heights



**SLS056** STANDARD INTERLOCK  
x4 heights

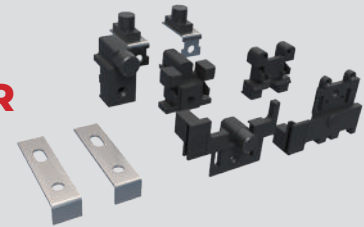


**SLS510** DRAINAGE COVER  
x2 widths

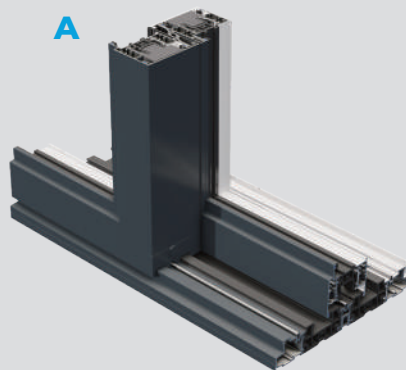


**SLS610** LH HARDWARE KIT A  
4 pairs

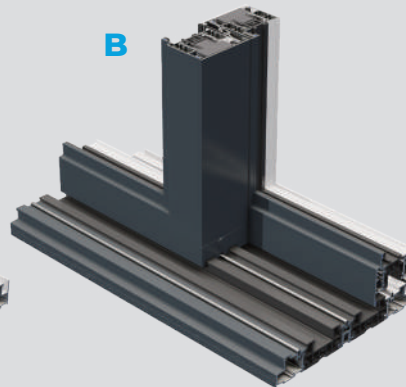
**OR**



**SLS611** RH HARDWARE KIT A  
4 pairs



**A**



**B**

# Trimming fixed and sliding sashes



1.



**Standard interlock:** Fit hardware Kit A to top of the sliding sash at interlock side as shown, using 4.3 x 55mm screws (packer shown in blue).

1a.



**Slim 52mm interlock:** NOTE Packer not required on slim interlock. Use 4.3mm x 35mm screws to fit hardware kit A.

2.



Fit hardware Kit A to top of the sash on the handle side as shown, using 4.3 x 35mm screw.

3.



Fit hardware Kit A to bottom of the sash at interlock side as shown, using 4.3mm x 35mm screws (standard interlock) or 4.3 x 55mm screws (slim interlock). If using slim interlock first remove packer (shown in blue).



Fit interlock cover trim of sliding sash.



Fit jamb trim to opening side and fixed side.



Fit jamb trim to head. Do not forget to fit the jamb trim corner shrouds top & bottom, handle side only (indicated above in red).



Fit threshold trim.



Fit interlock cover trim of fixed sash.

# Pre-assembled Patio

Before fitting  
Removing sliding sashes  
Including 4 Pane Doors



1. Remove interlock trim on sliding sash.



2. Unscrew Kit A top of slider, interlock side



3. Unscrew door stop on sliding sash lock side.



4. Lift out sliding sash.

# Removing fixed sash



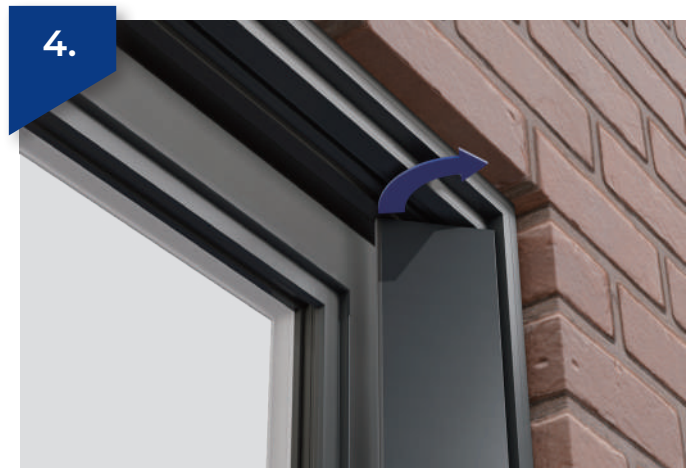
Remove interlock on fixed sash.



Remove top trim on sliding side.



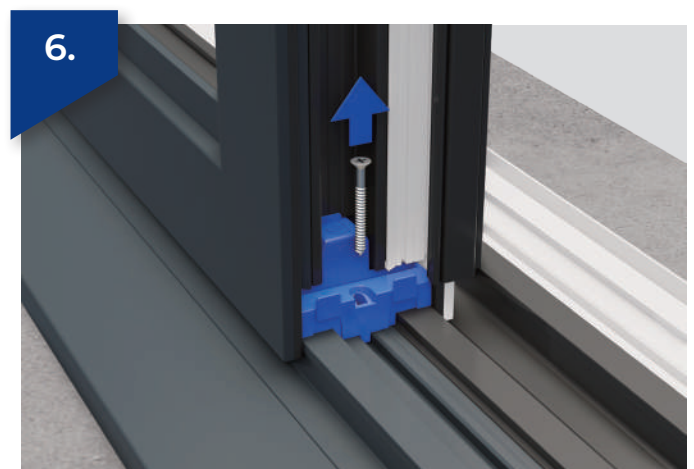
Remove threshold trim on sliding side.



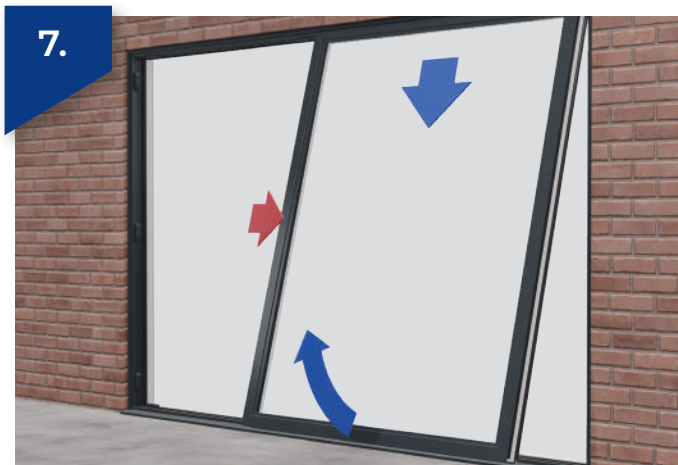
Remove both jamb trims (fixed and sliding side).



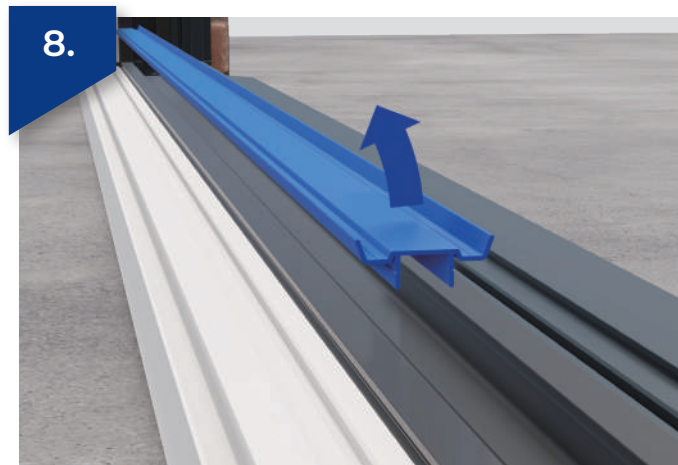
Remove fixed sash screws in glazing area.



Remove fixed sash corner dam - top and bottom.



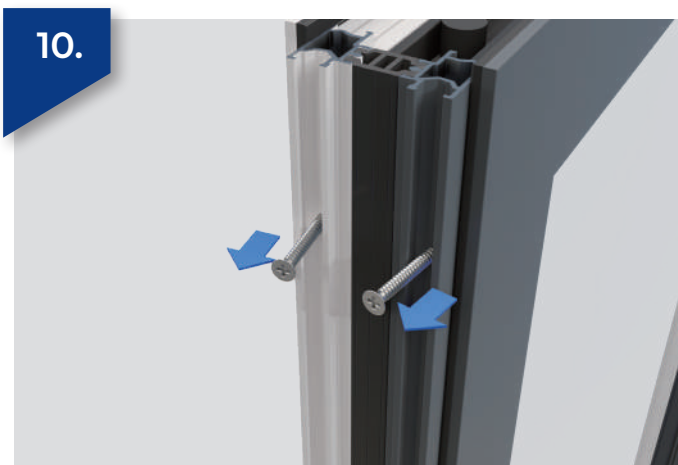
7. Slide fixed sash towards lock side before removing.



8. If fitted remove drainage cover from the drainage channel before fixing.



9. Remove button trim if fitted. (4 pane only).



10. Un-screw securing adapter to sash. This should be done if the door is to be removed. (4 pane only). Replace afterwards.

11. Continue installation by fixing frame as shown on page 10 and follow the rest of the process from there.

# Lock - Keep Adjustment



Should be set at nominal with the two lines matching. Adjustment can also be made using a T25 driver.



3mm adjustment is available by turning faceplate through 180°.



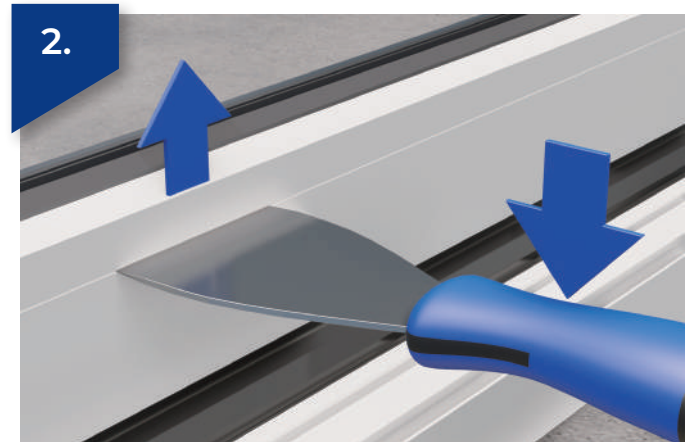
The keep is also adjustable in and out. Use a T25 driver to adjust +/- 2.5mm



# Bead Removal



1. Push on upper edge of bead to tilt it backwards to allow you to slide a tool between the bead and sash profile.



2. Push down on tool to disengage bead.

# External Finishing & Final Checks



1.

Break off any protruding packers where necessary.

2.

Remove protective tape from all profiles. Clean down aluminium and glass with warm soapy water.

3.

An expanding foam can be used to fill any large apertures around the frame. Be careful not to overfill. Now trim of silicone around outer frame and seal below external cill if applicable.

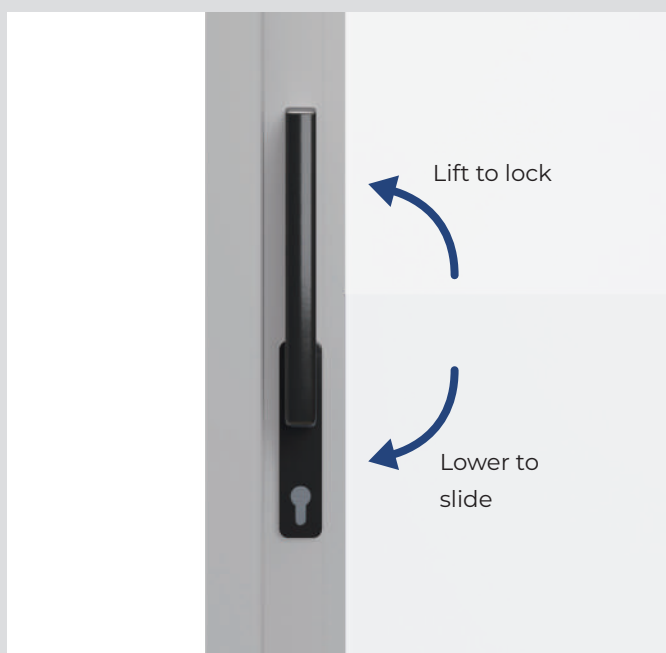
4.

Check patio for correct function, and instruct the homeowner on it's correct operation.

**Adjust if required - see page 24.**

5.

## Patio Operation



### VENTILATION

Open door lift handle in any position for none secure ventilation.

### GENERAL OPERATION

Rotate handle until it points downwards. The door can now be slid open or closed.





[www.sheerline.com](http://www.sheerline.com)



*THE* THERMLOCKI<sup>®</sup>

**ALFED**  
ALUMINIUM FEDERATION